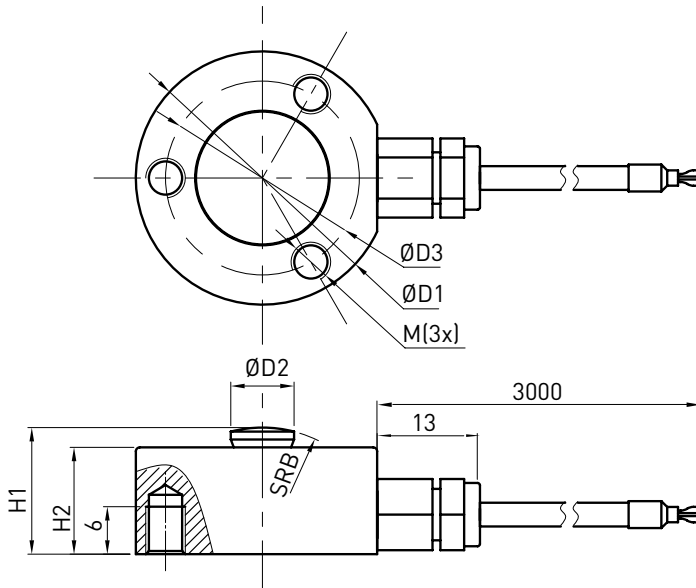


压式结构传感器

尺寸及量程 / Size and Capacity



| SIZE (mm) | D1 | D2 | D3 | H1 | H2 | B | M | 材料/Material | 重量/Weight |
|--------------------|----|----|------|----|----|----|----|-------------|-----------|
| 50/100/200/300/500 | 25 | 5 | 19 | 16 | 14 | 10 | M4 | 不锈钢 | 0.1kg |
| 1K/2K/3K/5K/10K | 32 | 8 | 25.4 | 16 | 14 | 16 | M5 | | 0.1kg |
| 20K/30K/50K | 38 | 11 | 30 | 16 | 14 | 20 | M6 | | 0.2kg |
| 60K/100K/120K | 51 | 15 | 41 | 25 | 22 | 30 | M8 | | 0.4kg |

技术参数 / Technical Parameters

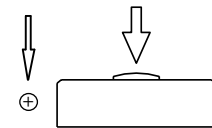
| 参数 | Specifications | 技术指标/Technique |
|-----------|-------------------------|---|
| 输出灵敏度 | Rated output | 1.5 ± 10% mV / V |
| 零点输出 | Zero balance | ± 10% F.S. |
| 非线性 | Non-linearity | 0.5% F.S. |
| 滞后 | Hysteresis | 0.5% F.S. |
| 重复性 | Repeatability | 0.5% F.S. |
| 蠕变 (30分钟) | Creep (30min) | 0.5% F.S. |
| 温度灵敏度漂移 | Temp. effect on output | 0.05 % F.S. / 10°C |
| 零点温度漂移 | Temp. effect on zero | 0.05 % F.S. / 10°C |
| 输入电阻 | Input impedance | 385 ± 10 Ω |
| 输出电阻 | Output impedance | 350 ± 5 Ω |
| 绝缘电阻 | Insulation | ≥5000M Ω / 100VDC |
| 激励电压 | Recommended excitation | 5~10V |
| 最大激励电压 | Maximum excitation | 15V |
| 温度补偿范围 | Compensated temp. range | -10 ~ 60°C |
| 工作温度范围 | Operation temp. range | -20 ~ 80°C |
| 安全超载 | Safe overload | 120% F.S. |
| 极限超载 | Ultimate overload | 200% F.S. |
| 电缆线尺寸 | Cable size | Ø3 × 3000 mm |
| 防护等级 | Protection class | IP66 |
| 连接方式 | Cable color code | Input: Red(+) Black(-); Output: Green(+) White(-); 输入: 红 (+) 黑 (-); 输出: 绿 (+) 白 (-); |



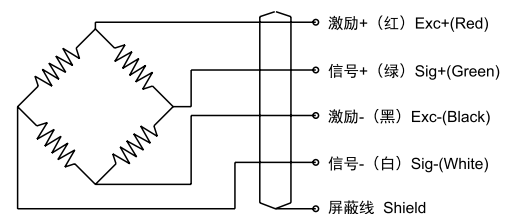
特点和用途 / Features & Applications

- 不锈钢材料，全密封不锈钢盖板，IP66，适用于各种恶劣的环境
- 用于压装机械，轴承的装配机械、轮轴识别
- 动态冲压设备的瞬间力值检测和控制
- 料斗秤和料罐秤的动态重量控制
- Stainless steel construction. Fully welded seal with stainless steel cover for hostile environment applications, IP66
- Used in pressing machine, bearing assembly machine
- Transient force measurement of dynamic stamping equipment
- Hopper scale and tank scale dynamic weight control

受力方式 / Load Direction



接线图 / Schematic Wiring Diagram



注：屏蔽线不与弹性体相连。
Note: Cable shield is not connected to element.