

PD Series



Rugged, One Piece Construction

FEATURES

- Multiple pressure range options available...fits a wide variety of application needs
- Rugged one-piece construction...provides long product life
- Large LCD display...clear readings at a distance
- Switch-selectable scales...for maximum resolution & versatility
- Pushbutton zero...maximizes accuracy and prevents callbacks
- NEMA 4/IP65 housing

DESCRIPTION

The versatile **PD Digital Pressure Gauge** can be used with any gas, liquid, or solid that is compatible with 17-4 stainless steel. The one-piece construction employs no silicone oil, welds, O-rings, or seals, making it the ideal universal pressure measurement device. The large LCD display shows the current reading, the selected scale, and the maximum and minimum pressure. All functions are easily controlled from the four panel push buttons located below the display.

APPLICATIONS

- Pump Inlet/Outlet and Compressors
- Inert Gas Pressure Measurement
- Hydraulic/Pneumatic Systems
- Energy and Fluid Management
- Refrigeration Equipment/Fluids/Test Stands
- Industrial Process Control
- Vacuum Chambers
- Lab and Research
- Irrigation

SPECIFICATIONS

Input Power <i>Display Only Models</i> <i>4-20mA Output Models</i> <i>Voltage Output Models</i>	9 volt alkaline battery (included) 7.5 to 32VDC 15 to 32VDC
Pressure	See ordering table; consult factory for additional ranges
Measurement Units	psi, bar, kg/cm ² , atm, in. of Hg, in. of H ₂ O* (selectable)
Accuracy**	<± 0.5% BFSL***
Stability (1 yr)	±0.25% of FS Typical
Over Range Protection	2x Rated Pressure
Burst Pressure	5x Rated Pressure or 5000 psi, whichever is less
Pressure Cycles	>100 Million
TEMPERATURE RANGES	
Media	-55° to 125°C (-65° to 257°F)
Operating (Ambient)	-10° to 70°C (15° to 158°F)
Storage <i>Display Only Models</i> <i>4-20mA & Voltage Output Models</i>	-15° to 85°C (5° to 185°F) -40° to 65°C (-40° to 150°F)
THERMAL LIMITS	
Compensated Range	0° to 55°C (32° to 130°F)
TC Zero	<±1.5% of FS
TC Span	<±1.5% of FS
Connection	1/4" NPT Male
Update Rate <i>Display Only Models</i> <i>4-20mA & Voltage Output Models</i>	2 times per second 32 times per second
Automatic Power Off	<i>Display Only Models</i> : 1 hour
Battery Life	<i>Display Only Models</i> : 4000 Operating Hours (typical)
Housing	NEMA 4, IP65, Polycarbonate
Output	<i>Analog Output Models</i> : 4-20mA loop powered or 0-5/0-10VDC

*inches H₂O units available on ≤250 psi range devices only

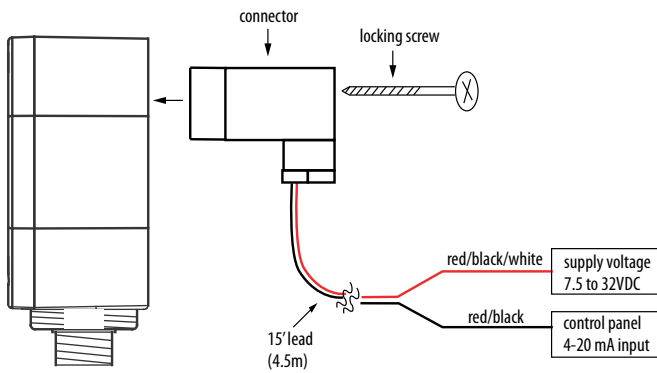
**Accuracy includes non-linearity, hysteresis, and non-repeatability, measured at 25°C(77°F)

***Best fit straight line

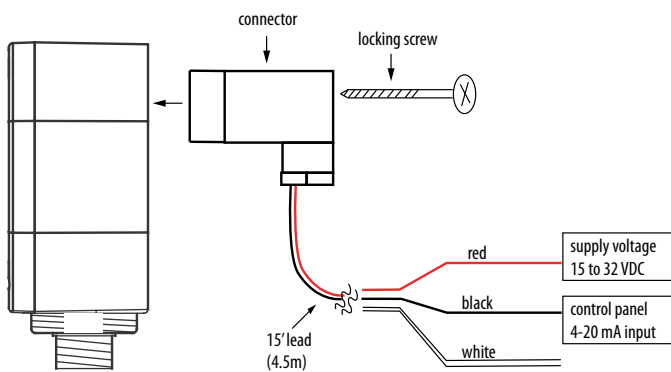
Note: Select a loop power supply and total loop resistance so that when the loop current is 20 mA, the gauge will have at least 7.5 VDC at its terminals

WIRING DIAGRAMS

Analog Output Version

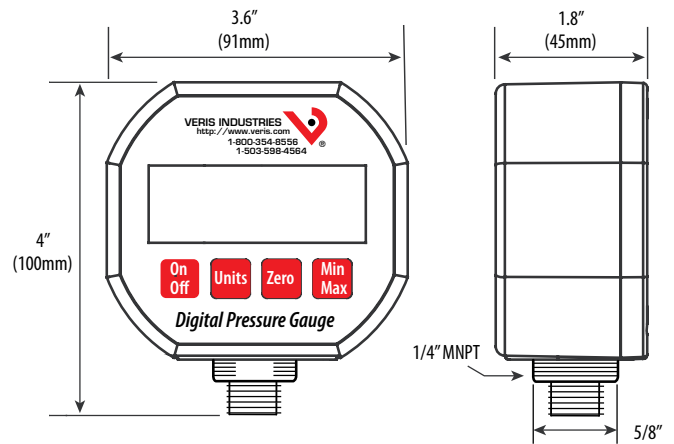


Voltage Output Version

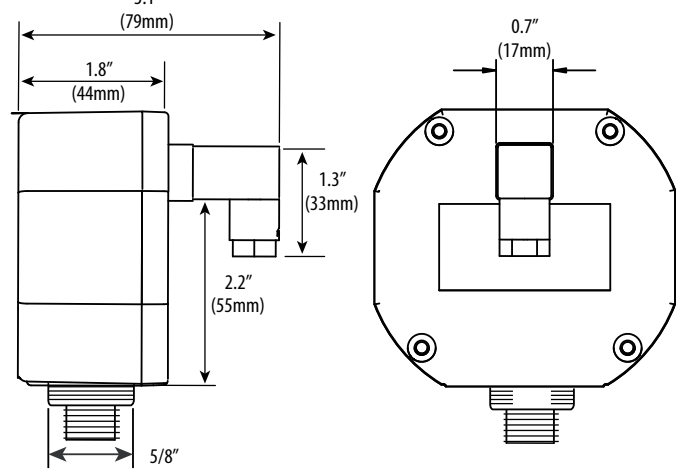


DIMENSIONAL DRAWINGS

Display Only Version



4-20mA Output Version



ORDERING INFORMATION

Display Only Models

Pressure Range	Material	Output
PD	A	X
50 = -14.7 to 50 psig	= 17 - 4SS	= Display only
100 = -14.7 to 100 psig		
250 = -14.7 to 250 psig		
500 = -14.7 to 500 psig		
1000 = -14.7 to 1000 psig		

Example:

PD 50 A X

Analog Output Models

Pressure Range	Material	Output
PD	A	
50 = 0 to 50 psig	= 17 - 4SS	M = 4-20mA
100 = 0 to 100 psig		V = 0-5VDC/0-10VDC
250 = 0 to 250 psig		
500 = 0 to 500 psig		
1000 = 0 to 1000 psig		