

Description

The MPC817 series combine an AlGaAs infrared emitting diode as the emitter which is optically coupled to a silicon planar phototransistor detector in a plastic DIP4 package with different lead forming options.

With the robust coplanar double mold structure, MPC817 series provide the most stable isolation feature.

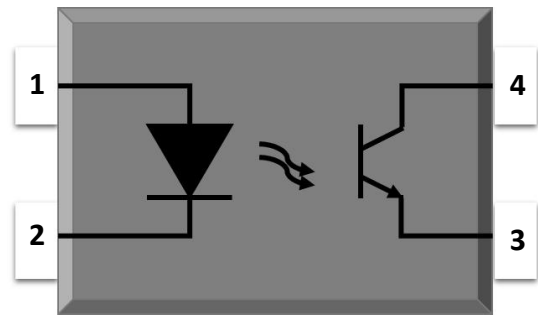
Features

- High isolation 5000 VRMS
- CTR flexibility available see order information
- DC input with transistor output
- Operating temperature range - 55 °C to 110 °C
- REACH compliance
- Halogen free
- MSL class 1
- Regulatory Approvals
 - UL - UL1577
 - VDE - EN60747-5-5(VDE0884-5)
 - CQC – GB4943.1, GB8898
 - DEMKO approved (No. D-07670)
 - FIMKO approved (No. FI/40479/A1)
 - NEMKO approved (No. P20224171)
 - SEMKO approved (No. 1920191)

Applications

- Switch mode power supplies
- Programmable controllers
- Household appliances
- Office equipment

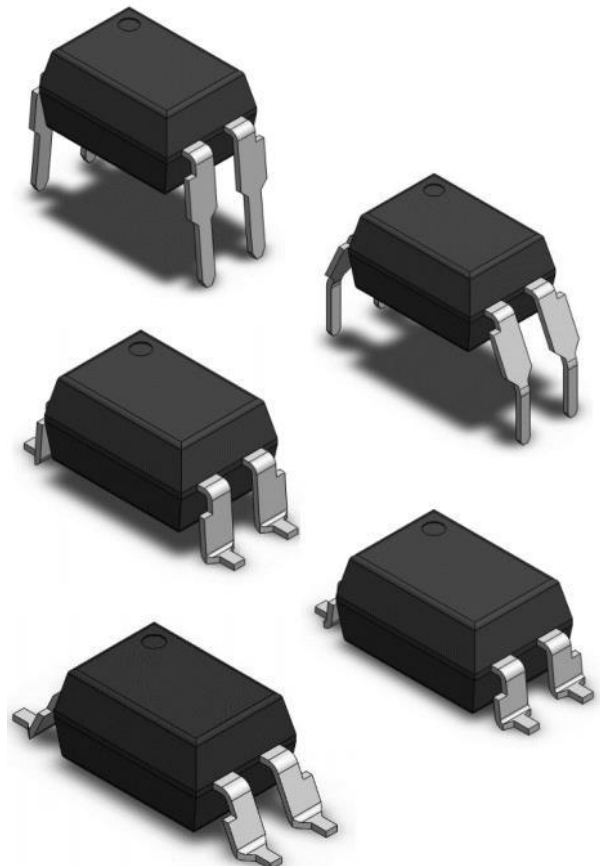
SCHEMATIC



PIN DEFINITION

1. Anode
2. Cathode
3. Emitter
4. Collector

PACKAGE OUTLINE





MPC817 Series

DIP4, DC Input Photo Transistor Coupler

ABSOLUTE MAXIMUM RATINGS

PARAMETER	SYMBOL	VALUE	UNIT	NOTE
INPUT				
Forward Current	I_F	60	mA	
Peak Forward Current	I_{FP}	1	A	1
Reverse Voltage	V_R	6	V	
Input Power Dissipation	P_I	100	mW	
OUTPUT				
Collector - Emitter Voltage	V_{CEO}	35	V	
Emitter - Collector Voltage	V_{ECO}	6	V	
Collector Current	I_C	50	mA	
Output Power Dissipation	P_O	150	mW	
COMMON				
Total Power Dissipation	P_{tot}	200	mW	
Isolation Voltage	V_{iso}	5000	Vrms	2
Operating Temperature	T_{opr}	-55~110	°C	
Storage Temperature	T_{stg}	-55~150	°C	
Soldering Temperature	T_{sol}	260	°C	

Note 1. 100 μ s pulse, 100Hz frequency Note

2. AC For 1 Minute, R.H. = 40 ~ 60%



MPC817 Series

DIP4, DC Input Photo Transistor Coupler

ELECTRICAL OPTICAL CHARACTERISTICS at Ta=25°C							
PARAMETER	SYMBOL	MIN	TYP.	MAX.	UNIT	TEST CONDITION	NOTE
INPUT							
Forward Voltage	V_F	-	1.24	1.4	V	IF=10mA	
Reverse Current	I_R	-	-	10	μ A	VR=6V	
Input Capacitance	C_{in}	-	10	-	pF	V=0, f=1kHz	
OUTPUT							
Collector Dark Current	I_{CEO}	-	-	100	nA	VCE=20V, IF=0	
Collector-Emitter Breakdown Voltage	BV_{CEO}	35	-	-	V	IC=0.1mA, IF=0	
Emitter-Collector Breakdown Voltage	BV_{ECO}	6	-	-	V	IE=0.1mA, IF=0	
TRANSFER CHARACTERISTICS							
Current Transfer Ratio	MPC817	CTR	50	-	600	%	IF=5mA, VCE=5V
	MPC817A		80	-	160		
	MPC817B		130	-	260		
	MPC817C		200	-	400		
	MPC817D		300	-	600		
	MPC817A1		80	-	160		
	MPC817B9		130	-	260		
	MPC817C1		200	-	400		
	MPC817D1		300	-	600		
Collector-Emitter Saturation Voltage	$V_{CE(sat)}$	-	0.06	0.2	V	IF=20mA, IC=1mA	
Isolation Resistance	R_{iso}	10^{12}	10^{14}	-	Ω	DC500V, 40 ~ 60% R.H.	
Floating Capacitance	C_{io}	-	0.4	1	pF	V=0, f=1MHz	
Cut-off Frequency	f_c	-	80	-	kHz	VCE=2V, IC=2mA RL=100 Ω , -3dB	3
Response Time (Rise)	t_r	-	6	18	μ s	VCE=2V, IC=2mA	4
Response Time (Fall)	t_f	-	8	18	μ s	RL=100 Ω	4

Note 3. Fig.12&13

Note 4. Fig.14

CHARACTERISTIC CURVES

Fig.1 Forward Current vs. Ambient Temperature

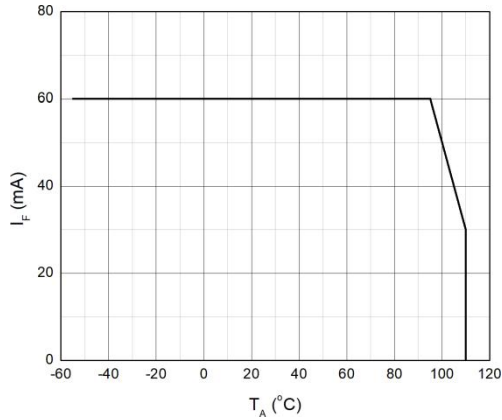


Fig.2 Collector Power Dissipation vs. Ambient Temperature

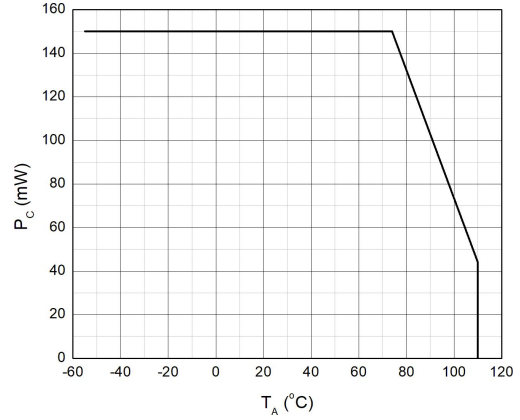


Fig.3 Forward Current vs. Forward Voltage

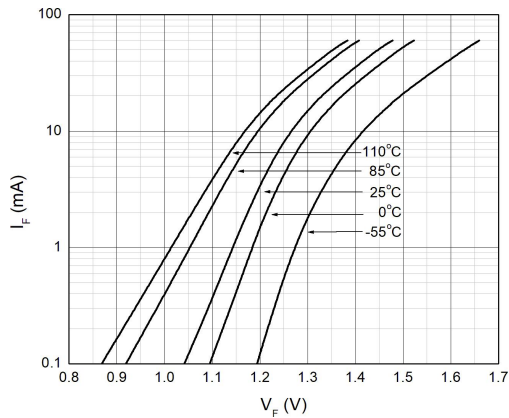


Fig.4 Collector Dark Current vs. Ambient Temperature

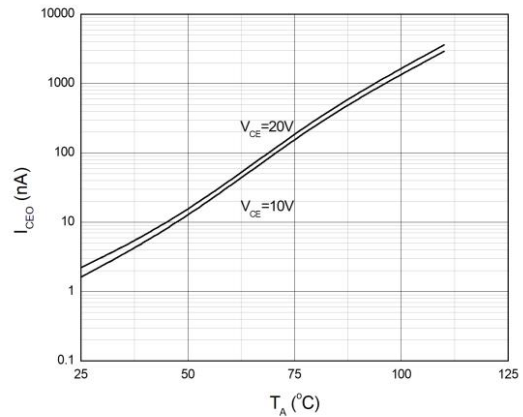


Fig.5 Collector Current vs. Collector-emitter Voltage

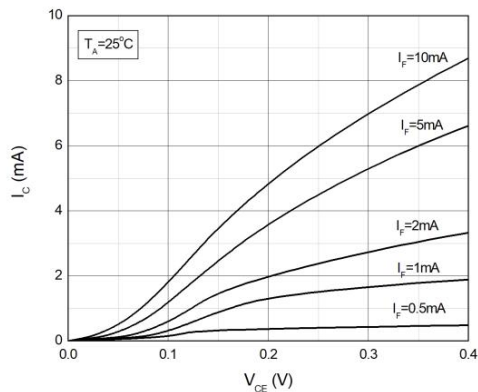
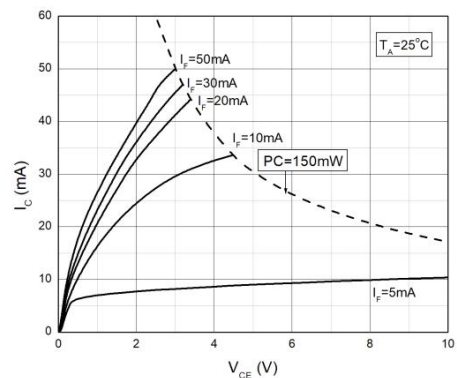


Fig.6 Collector Current vs. Collector-emitter Voltage



CHARACTERISTIC CURVES

Fig.7 Normalized Current Transfer Ratio vs. Forward Current

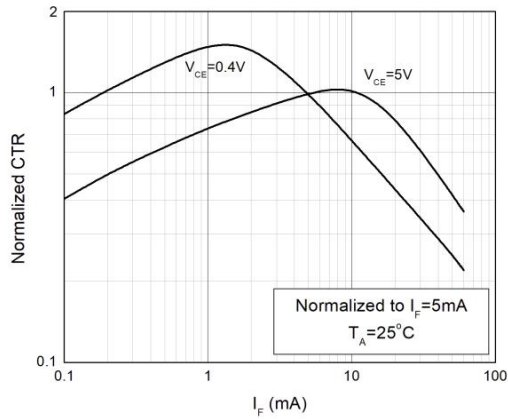


Fig.8 Normalized Current Transfer Ratio vs. Ambient Temperature

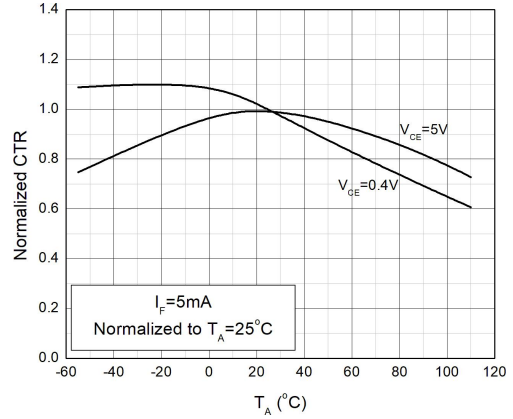


Fig.9 Collector-emitter Saturation Voltage vs. Ambient Temperature

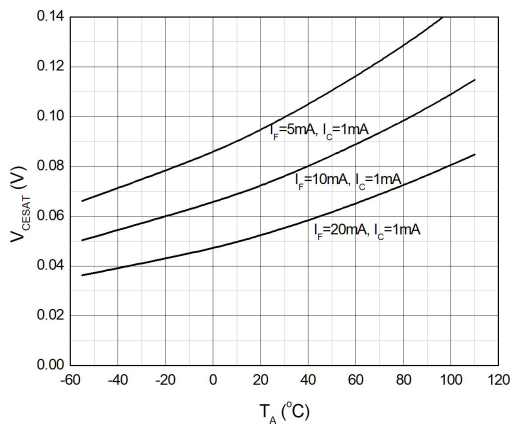


Fig.10 Switching Time vs. Load Resistance

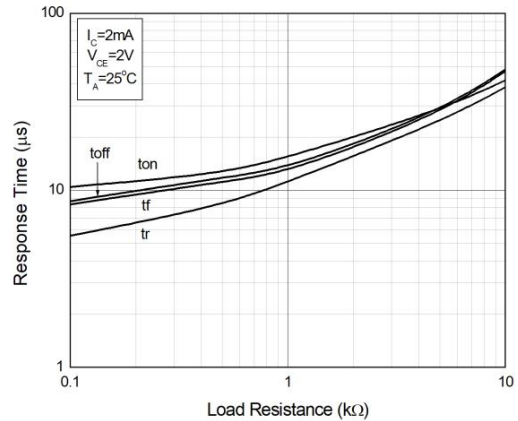
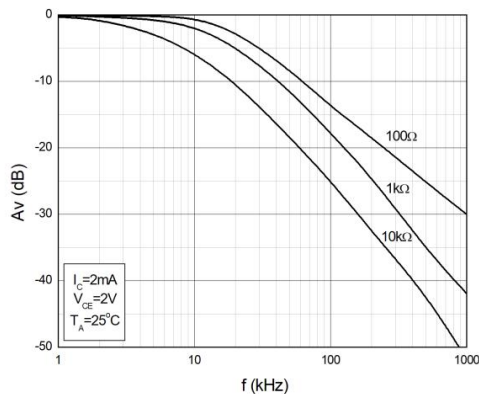


Fig.11 Frequency Response



TEST CIRCUITS

Fig.12 Test Circuits of Response Time

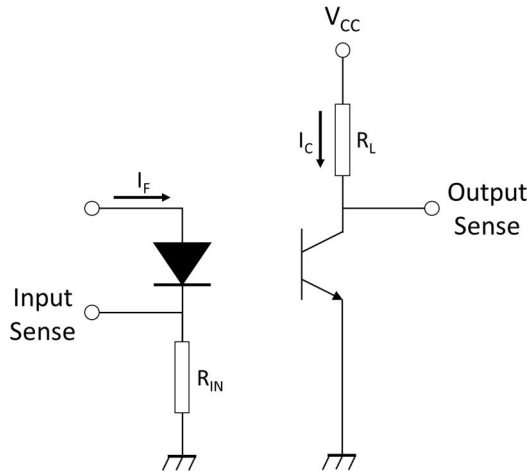


Fig.13 Curves of Response Time

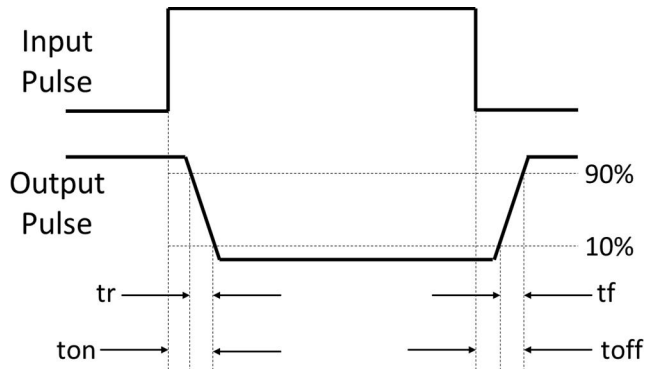
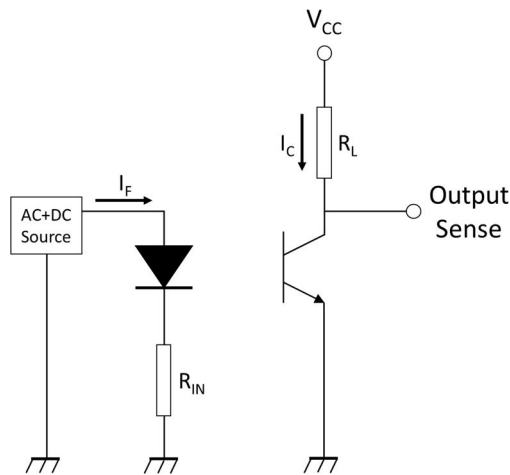
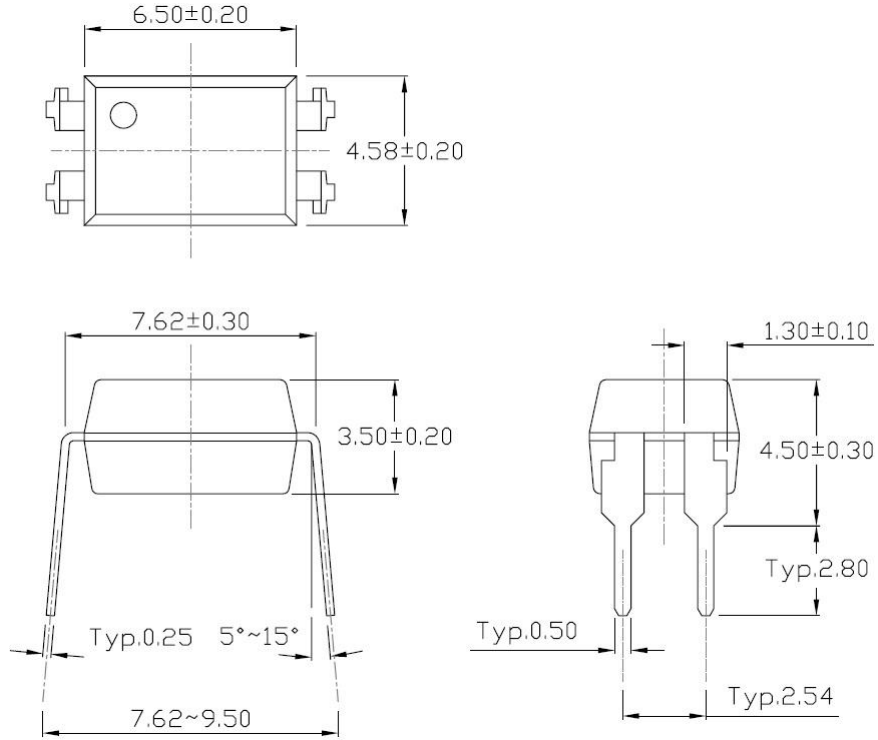


Fig.14 Test Circuits of Frequency Response

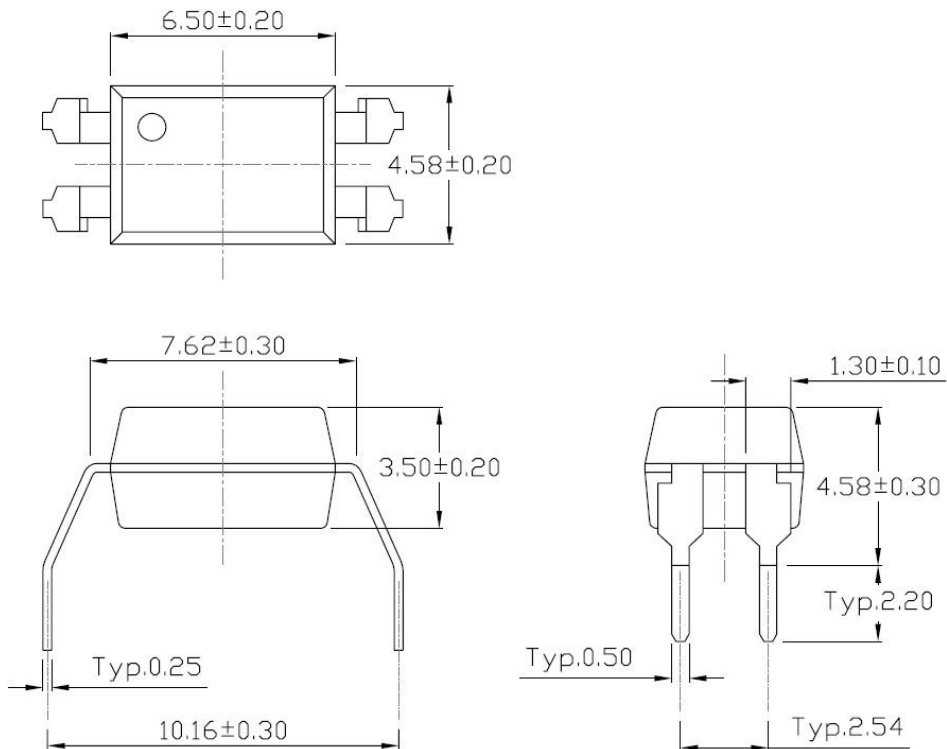


PACKAGE DIMENSIONS (Dimensions in mm unless otherwise stated)

Standard DIP – Through Hole (DIP Type)

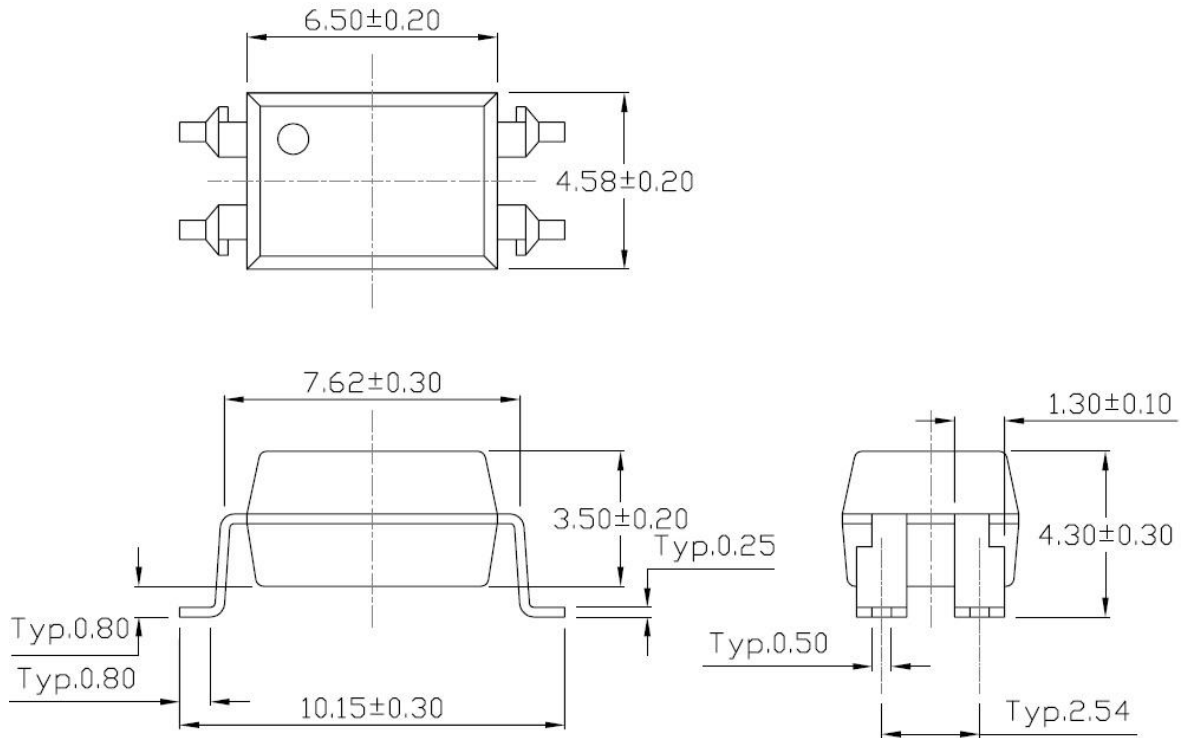


Gullwing (400mil) Lead Forming – Through Hole (M Type)

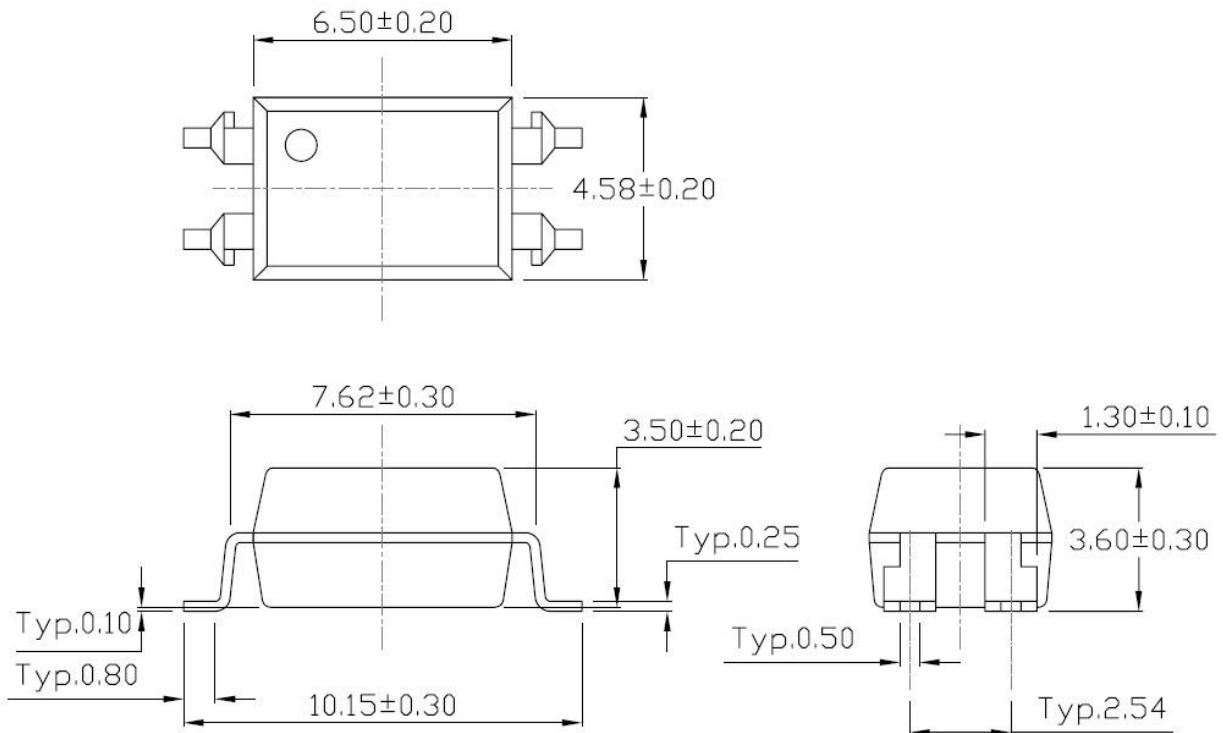


PACKAGE DIMENSIONS (Dimensions in mm unless otherwise stated)

Surface Mount Lead Forming (S Type)

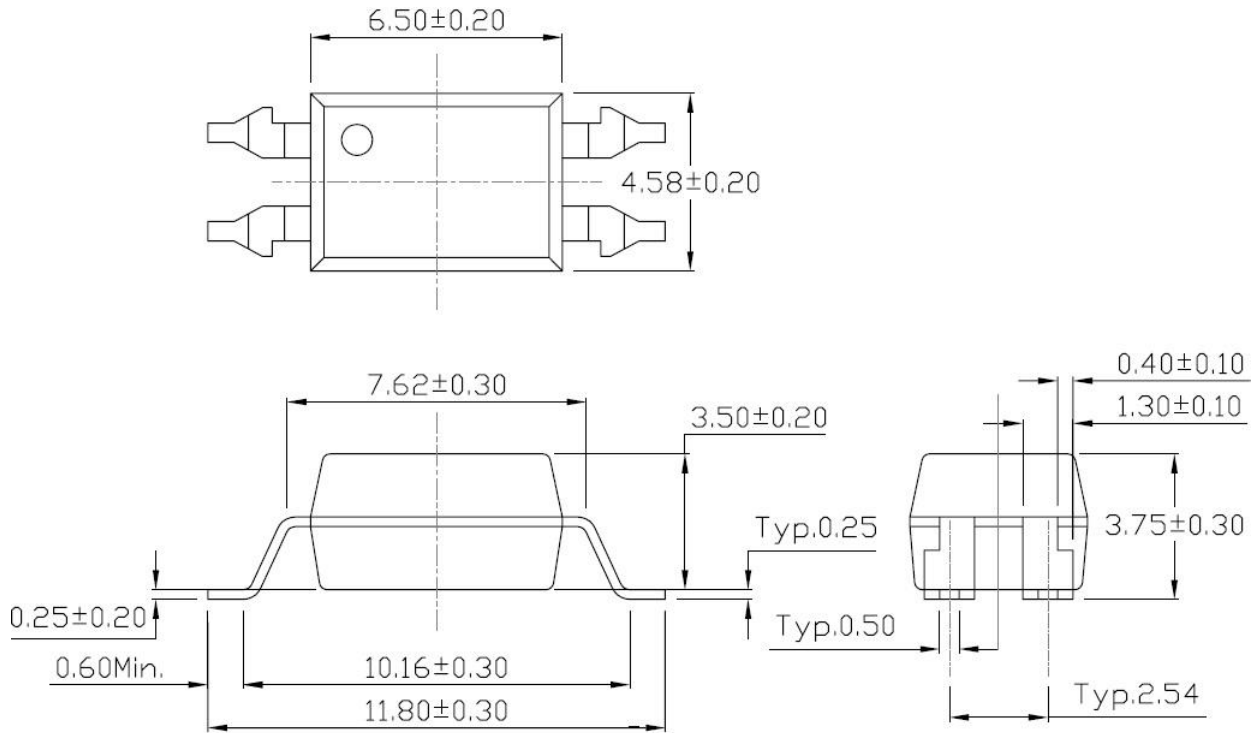


Surface Mount (Low Profile) Lead Forming (SL Type)



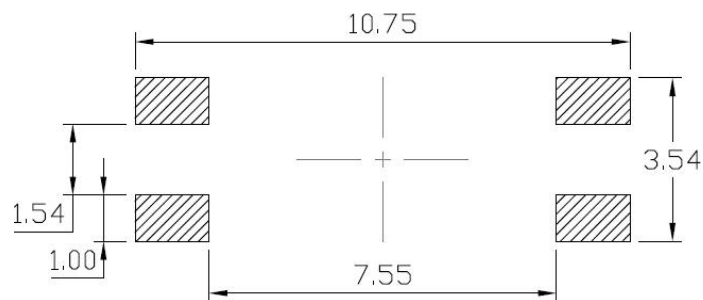
PACKAGE DIMENSIONS (Dimensions in mm unless otherwise stated)

Surface Mount (Gullwing) Lead Forming (SLM Type)

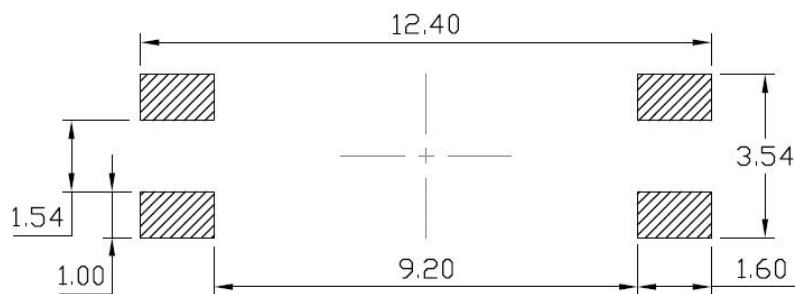


RECOMMENDED SOLDER MASK (Dimensions in mm unless otherwise stated)

Surface Mount Lead Forming & Surface Mount (Low Profile) Lead Forming

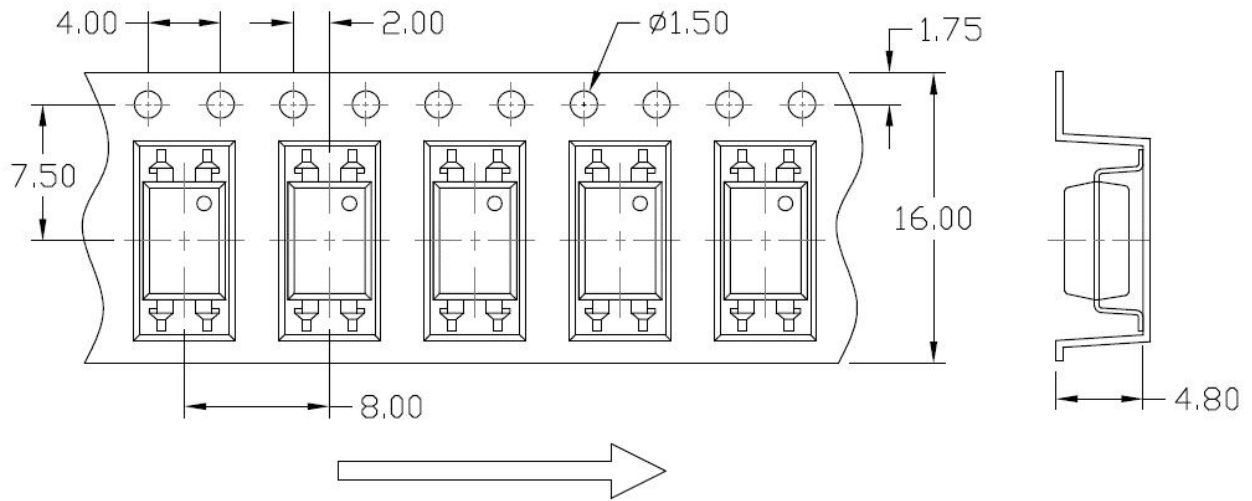


Surface Mount (Gullwing) Lead Forming

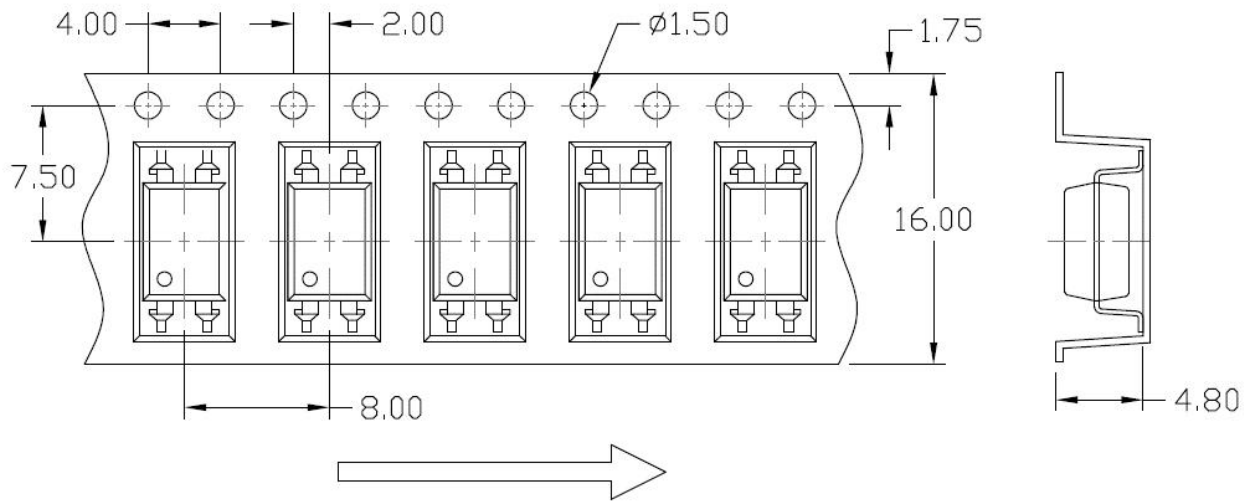


CARRIER TAPE SPECIFICATIONS (Dimensions in mm unless otherwise stated)

Option S(T1) & SL(T1)

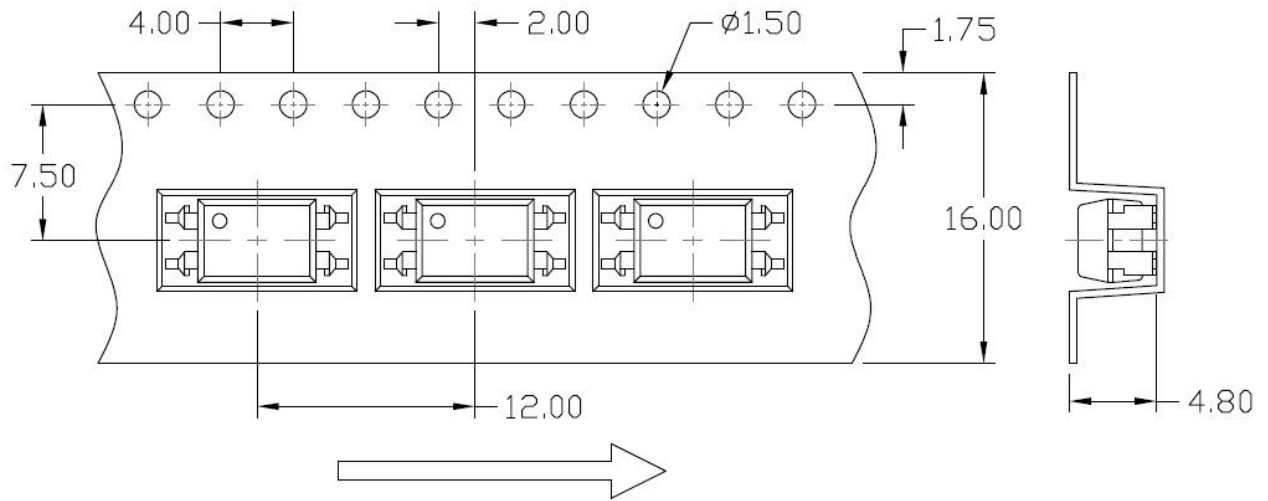


Option S(T2) & SL(T2)

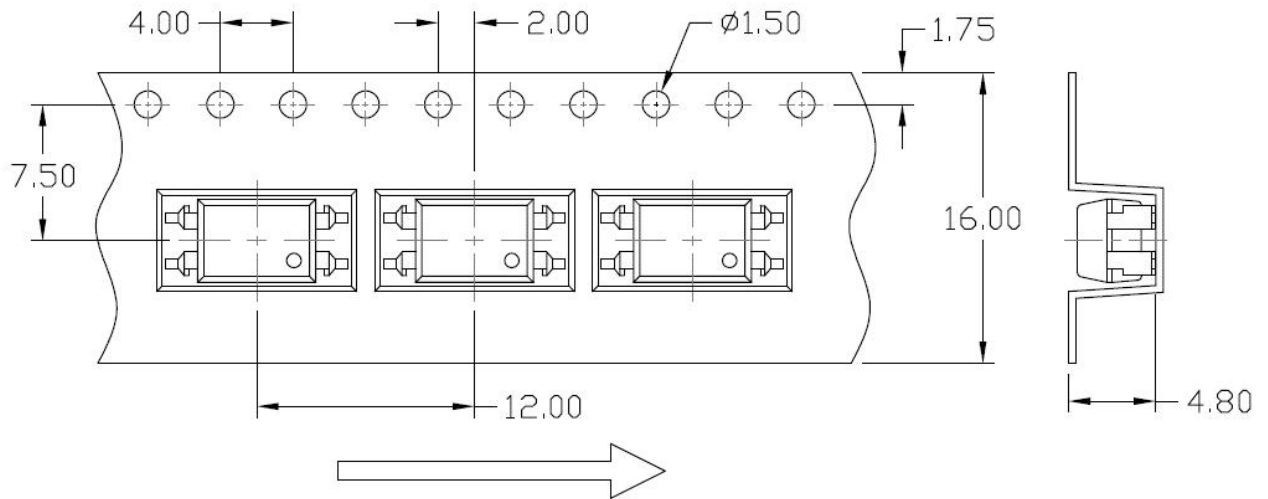


CARRIER TAPE SPECIFICATIONS (Dimensions in mm unless otherwise stated)

Option S(T3) & SL(T3)

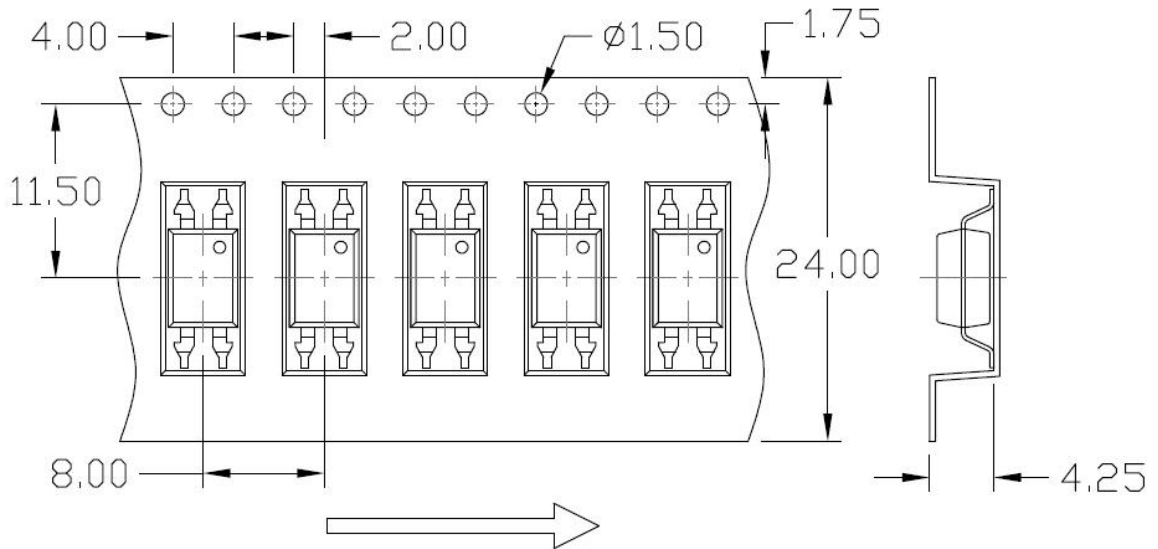


Option S(T4) & SL(T4)

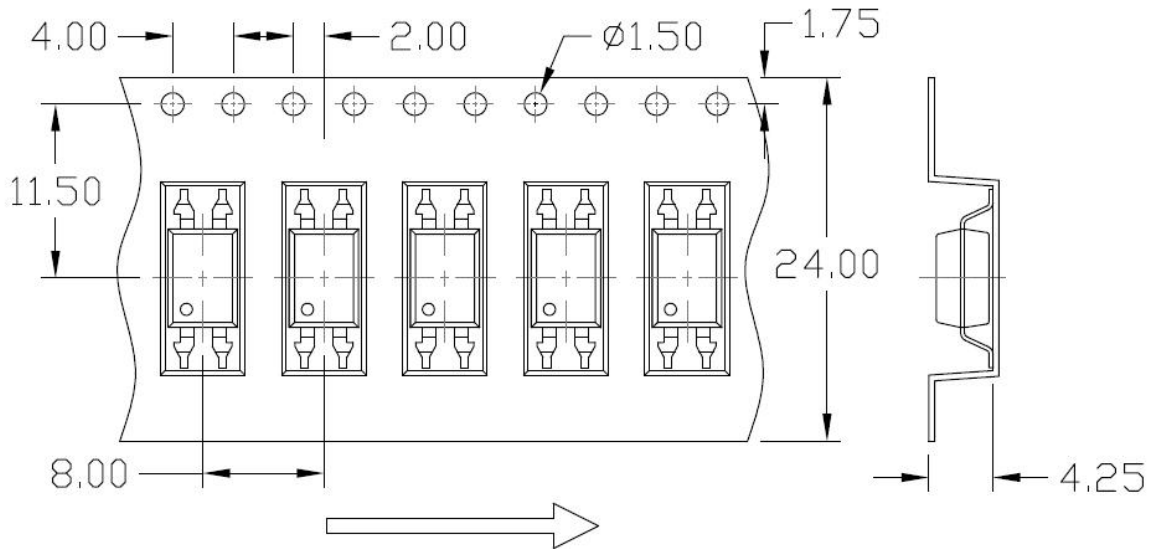


CARRIER TAPE SPECIFICATIONS (Dimensions in mm unless otherwise stated)

Option SLM(T1)

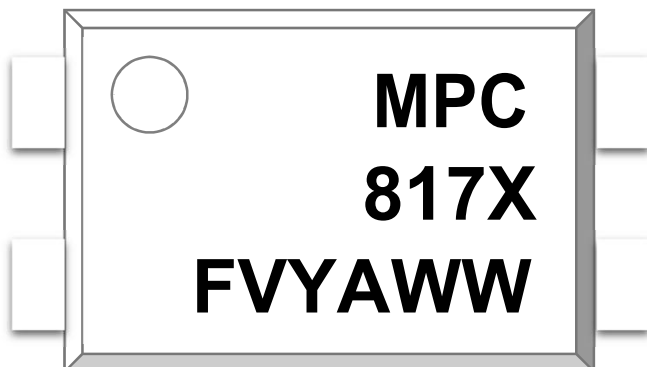


Option SLM(T2)



ORDERING AND MARKING INFORMATION

MARKING INFORMATION



MPC : Company Abbr.
817 : Part Number
X : CTR Rank
F : Lead-frame Option
 (F: Iron, None: Copper)
V : VDE Option
Y : Fiscal Year
A : Manufacturing Code
WW : Work Week

ORDERING INFORMATION

MPC817XN(Y)(Z)-FGV

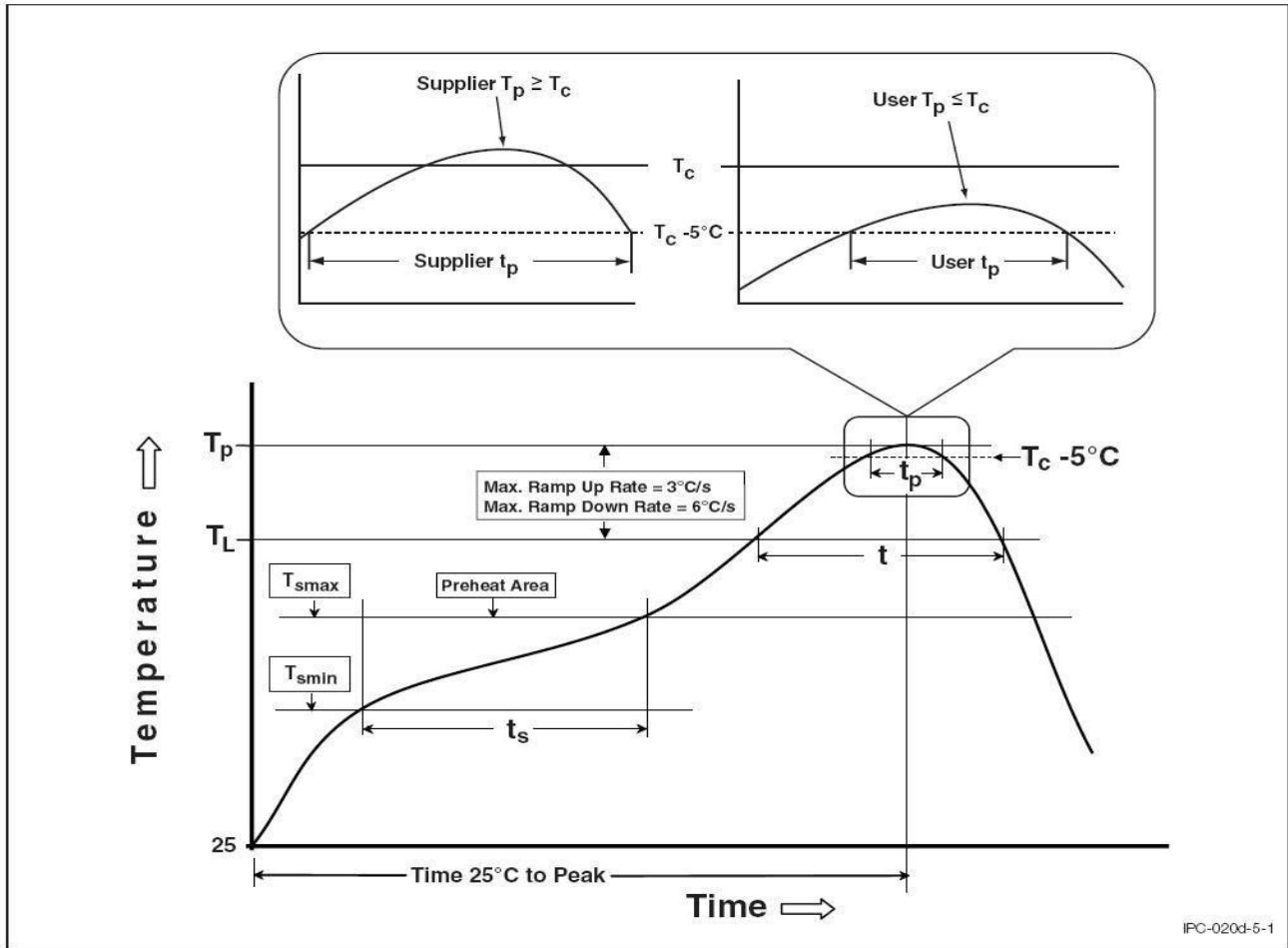
MPC – Company Abbr. (Y) – Lead Form Option (M/S/SL/SLM/None)
817 – Part Number (Z) – Tape and Reel Option (T1/T2/T3/T4)
XN – Rank (A/A1/B/B9/C/C1/D/D1 or None) F – Lead-frame Option (F: Iron, None: Copper)
 G – Green
 V – VDE Option (V or None)

Packing Quantity

Option	Description	Quantity
None	Standard 4 Pin Dip	100 Units/Tube
M	Gullwing (400mil) Lead Forming	100 Units/Tube
S(T1)	Surface Mount Lead Forming – With Option 1 Taping	1500 Units/Reel
S(T2)	Surface Mount Lead Forming – With Option 2 Taping	1500 Units/Reel
S(T3)	Surface Mount Lead Forming – With Option 3 Taping	1000 Units/Reel
S(T4)	Surface Mount Lead Forming – With Option 4 Taping	1000 Units/Reel
SL(T1)	Surface Mount (Low Profile) Lead Forming– With Option 1 Taping	1500 Units/Reel
SL(T2)	Surface Mount (Low Profile) Lead Forming – With Option 2 Taping	1500 Units/Reel
SL(T3)	Surface Mount (Low Profile) Lead Forming– With Option 3 Taping	1000 Units/Reel
SL(T4)	Surface Mount (Low Profile) Lead Forming – With Option 4 Taping	1000 Units/Reel
SLM(T1)	Surface Mount (Gullwing) Lead Forming– With Option 1 Taping	1500 Units/Reel
SLM(T2)	Surface Mount (Gullwing) Lead Forming – With Option 2 Taping	1500 Units/Reel

REFLOW INFORMATION

REFLOW PROFILE



IPC-020d-5-1

Profile Feature	Sn-Pb Assembly Profile	Pb-Free Assembly Profile
Temperature Min. (T_{smin})	100	150°C
Temperature Max. (T_{smax})	150	200°C
Time (t_s) from (T_{smin} to T_{smax})	60-120 seconds	60-120 seconds
Ramp-up Rate (t_L to t_P)	3°C/second max.	3°C/second max.
Liquidous Temperature (T_L)	183°C	217°C
Time (t_L) Maintained Above (T_L)	60 – 150 seconds	60 – 150 seconds
Peak Body Package Temperature	235°C +0°C / -5°C	260°C +0°C / -5°C
Time (t_P) within 5°C of 260°C	20 seconds	30 seconds
Ramp-down Rate (T_P to T_L)	6°C/second max	6°C/second max
Time 25°C to Peak Temperature	6 minutes max.	8 minutes max.



MPC817X1 Series

DIP4, DC Input Photo Transistor Coupler

DISCLAIMER

- MPC is continually improving the quality, reliability, function and design. MPC reserves the right to make changes without further notices.
- The characteristic curves shown in this datasheet are representing typical performance which are not guaranteed.
- MPC makes no warranty, representation or guarantee regarding the suitability of the products for any particular purpose or the continuing production of any product. To the maximum extent permitted by applicable law, MPC disclaims (a) any and all liability arising out of the application or use of any product, (b) any and all liability, including without limitation special, consequential or incidental damages, and (c) any and all implied warranties, including warranties of fitness for particular
- The products shown in this publication are designed for the general use in electronic applications such as office automation, equipment, communications devices, audio/visual equipment, electrical application and instrumentation purpose, non-infringement and merchantability.
- This product is not intended to be used for military, aircraft, automotive, medical, life sustaining or lifesaving applications or any other application which can result in human injury or death.
- Please contact MPC sales agent for special application request.
- Immerge unit's body in solder paste is not recommended.
- Parameters provided in datasheets may vary in different applications and performance may vary over time. All operating parameters, including typical parameters, must be validated in each customer application by the customer's technical experts. Product specifications do not expand or otherwise modify MPC's terms and conditions of purchase, including but not limited to the warranty expressed therein.
- Discoloration might be occurred on the package surface after soldering, reflow or long-time use. It neither impacts the performance nor reliability.