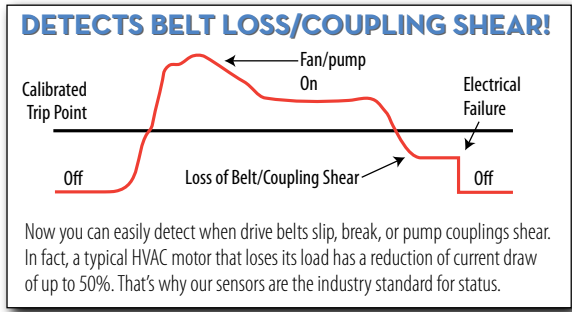


H735, Hx38, Hx48, Hx58 Series



SPECIFICATIONS

Sensor Power	Induced from monitored conductor
Insulation Class	600VAC RMS
Frequency Range	50/60 Hz
Temperature Range	-15° to 60°C (5° to 140°F)
Humidity Range	10-90% RH non-condensing
Hysteresis	10% Typical
Terminal Block Wire Size	24-14 AWG (0.2 to 2.1 mm ²)
Terminal Block Torque	3.5 to 4.4 in-lbs (0.4 to 0.5 N-m)
Agency Approvals	UL 508 open device listing, CAT III, pollution degree 2, basic insulation

Do not use the LED status indicators as evidence of applied voltage.

RELAY CONTACT RATINGS

H735 (SPST, N.O.)	
Resistive.....	5A@250VAC, 30VDC
Inductive.....	3A@250VAC, 30VDC
Hx38, Hx58 (SPST, N.O.)	
Resistive.....	10A@250VAC, 30VDC
Inductive.....	5A@250VAC, 30VDC
Hx48 (SPDT)	
Resistive.....	8A@250VAC, 30VDC
Inductive.....	3.5A@250VAC, 30VDC

TYPICAL COIL PERFORMANCE

Voltage	AC	DC
24V.....	10mA	10mA
12V (Hx58).....		20mA
Pull In Voltage		
Hx3x		20.1VDC
Hx48		20.1VDC
Hx58		8.4VDC
Drop Out Voltage		
Hx3x		5.2VDC
Hx48		5.2VDC
Hx58		3.0VDC

Status & Control In One Package

FEATURES

- Combines command relay and fan/pump status sensor in a single, easy to install unit
- Reduces number of components installed...fits better in small starter enclosures
- Detect belt loss and motor failure...ideal for fan and pump status
- H748 and H948 feature a SPDT command relay...control two outputs with a single relay
- Bracket on H938, H948, and H958 can be installed in three different configurations...added flexibility
- Reduced charges from electrician
- Relay and status LEDs for easy setup
- Polarity insensitive status output...fast and easy installation
- Adjustable setpoint for current sensor status...fits many applications
- 5-year warranty

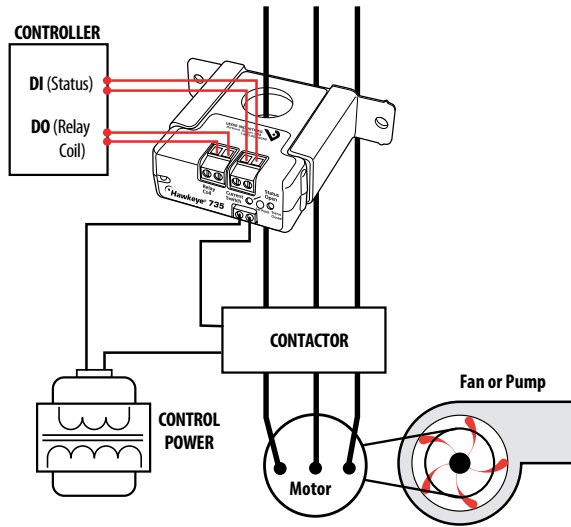
DESCRIPTION

The Hawkeye Relay Combination Series is the ideal solution for the automation installer. These units combine a current switch and relay into a single package, reducing the space required for total control of fans and pumps. The current switch and relay operate independently of one another. These devices allow start/stop control and status monitoring with one device instead of two.

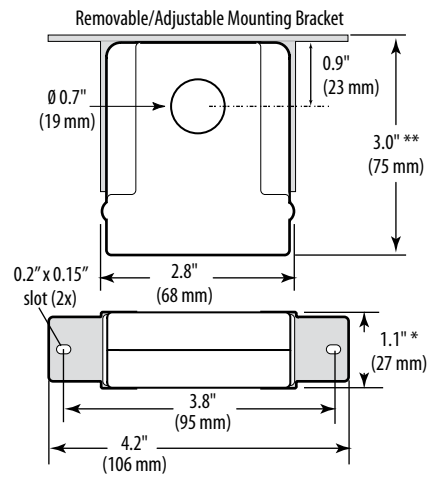
APPLICATIONS

- Starting/stopping and monitoring positive status of motors
- Detecting belt loss and coupling shear

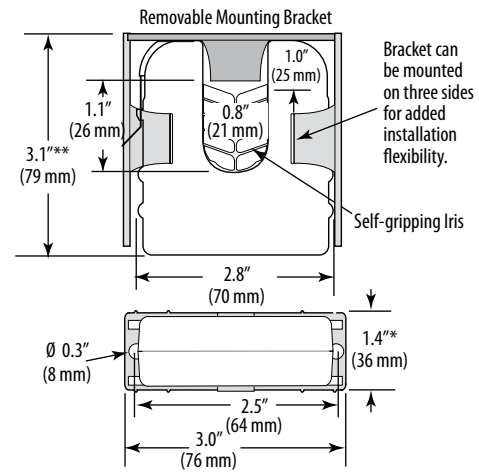
Start/Stop Monitoring of Fan /Pump Motors



H735/738/748/758

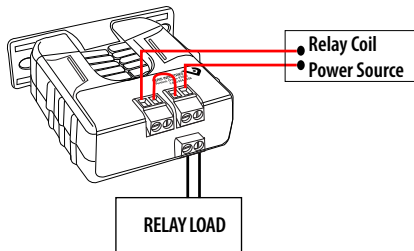


H938/948/958



* Terminal block may extend up to 1/8" over the height dimensions shown.

Relay Controlled Directly by Status Contacts



ORDERING INFORMATION



MODEL	AMPERAGE RANGE	STATUS OUTPUT(max.)	MIN. TRIP POINT	RELAY	COIL VOLTAGE	HOUSING	STATUS LED	RELAY POWER LED	UL
H735	1 - 135A	0.1A@30VAC/DC	1A or less	SPST, N.O.	24VAC/DC	Solid-core	●	●	●
H738	1 - 135A		1A or less	SPST, N.O.	24VAC/DC	Solid-core	●	●	●
H748	1 - 135A		1A or less	SPDT	24VAC/DC	Solid-core	●	●	●
H758	1 - 135A		1A or less	SPST, N.O.	12VDC nom.	Solid-core	●	●	●
H938	2.5 - 135A	1.0A@30VAC/DC	2.5A or less	SPST, N.O.	24VAC/DC	Split-core	●	●	●
H948	2.5 - 135A		2.5A or less	SPDT	24VAC/DC	Split-core	●	●	●
H958	2.5 - 135A		2.5A or less	SPST, N.O.	12VDC nom.	Split-core	●	●	●

ACCESSORIES

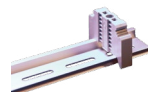
DIN Rail Clip Set (AH01)
DIN Rail (AV01) and DIN Stop Clip (AV02)



AH01



AV01



AV02