

Hx00 Series

**0.15A
Turn-On
Select Models**



SPECIFICATIONS

Sensor Power	N.O models: Induced from monitored current; H800NC: 5-30VDC, permanently connected
Insulation Class	600VAC RMS (UL), 300VAC RMS (CE)
Frequency Range	50/60 Hz, On/Off status for Variable Frequency Drive (VFD) outputs at 12 to 115 Hz (a)
Temperature Range	<p><i>H800NC, H300, H900</i> -15° to 60°C (5° to 140°F)</p> <p><i>H600</i> -15° to 40°C (5° to 104°F) (to 200A); -15° to 60°C (5° to 140°F) (to 150A)</p> <p><i>H800, H800HV</i> -40° to 50°C (-40° to 122°F) (to 200A); -40° to 75°C (-40° to 167°F) (to 100A, & 0.25A status output)</p>
Humidity Range	10-90% RH non-condensing
Off State Leakage (H800NC Only)	34µA@5VDC, 200µA@30VDC
On State Voltage Drop (H800NC Only)	1.9VDC (max.) @0.1A
Terminal Block Wire Size	<p><i>H600, H800, H900</i> 24-14 AWG (0.2 to 2.1 mm²);</p> <p><i>H300</i> 22-16 AWG (0.3 to 1.3 mm²)</p>
Terminal Block Torque	<p><i>H600, H800, H900</i> 3.5 to 4.4 in-lbs (0.4 to 0.5 N-m);</p> <p><i>H300</i> 7 in-lbs (0.8 N-m)</p>
Agency Approvals	UL 508 open device listing; CE: EN61010-1, CAT III, pollution degree 2, basic insulation

Do not use the LED status indicators as evidence of applied voltage.
(a) VFD systems generate fields that can disrupt electrical devices. Ensure that these fields are minimized and are not affecting the sensor.

Split-Core & Solid-Core On/Off Status Current Switches

FEATURES

- More reliable for status than relays across auxiliary contacts
- Ideal for direct-drive units, unit vents, fan coil units, exhaust fans, and other fixed loads
- Low 0.15 A turn-on (H300 and H600)...ideal for small exhaust fans (not intended to detect belt loss)
- Removable mounting bracket provides installation flexibility
- Bracket on H900 can be installed in three different configurations...installer convenience
- Split-core H300, H600, and H900 for fast retrofit installation
- Mini solid-core H800 and micro split-core H300 fit in tight enclosures...saves valuable panel space
- 100% solid-state, no moving parts to fail
- Polarity insensitive output (except H800NC)
- 5-year warranty

DESCRIPTION

Hawkeye x00 on/off current switches provide a cost-effective solution for monitoring status on unit vents, exhaust fans, recirculation pumps, and other fixed loads where belt loss is not a concern.

Veris has applied new technology to the H300, H600, and H800 models to achieve impressive improvement in turn-on levels. The Hawkeye H300 and H600 have the lowest turn-on current in the industry at a mere 0.15 A!

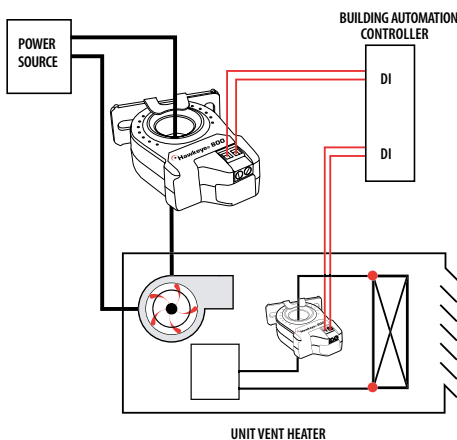
APPLICATIONS

- Monitoring status of electrical loads
- Monitoring direct-drive units, exhaust fans, process motors, and other fixed loads
- Verifying lighting run times and lighting status
- VFD output On/Off status
- Direct-Drive units, unit vents, fan coil units, exhaust fans, and other fixed loads

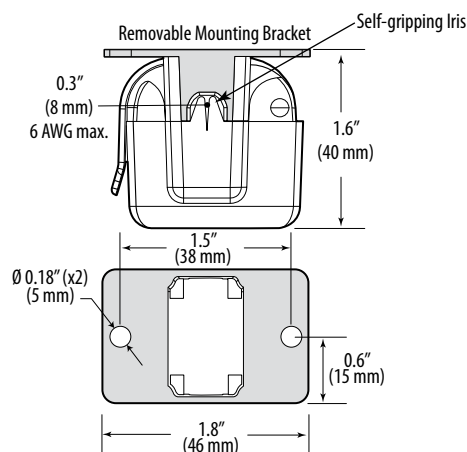
WIRING DIAGRAM

DIMENSIONAL DRAWINGS

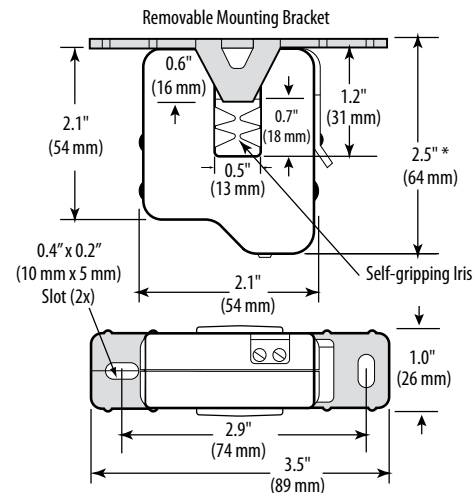
Unit Vent Heater Control



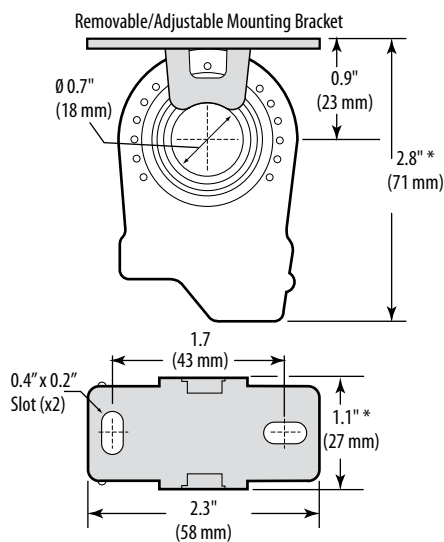
H300



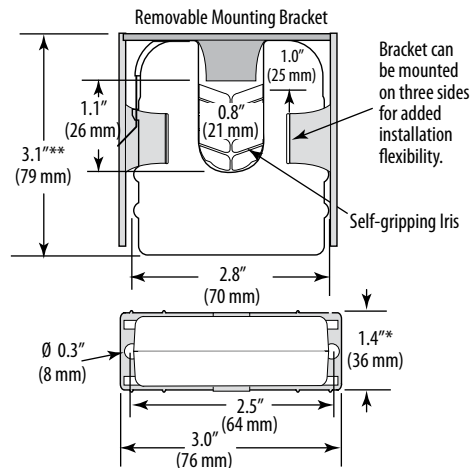
H600



H800, H800HV, H800NC



H900



* Terminal block may extend up to 1/8" over the height dimensions shown.

ORDERING INFORMATION



MODEL	AMPERAGE RANGE @ 50/60 Hz only	STATUS OUTPUT (Max.)	TRIP POINT	HOUSING	UL	CE	ROHS
H300	0.15 - 60A	N.O. 1.0A@30VAC/DC	0.15A or less	Split-core	2	●	●
H600	0.15 - 200A	N.O. 1.0A@30VAC/DC	0.15A or less	Split-core	1	●	●
H800	0.25 - 200A	N.O. 1.0A@30VAC/DC	0.25A or less	Solid-core	1	●	●
H800NC	0.5 - 200A	N.C. 0.1A@30VDC	0.5A or less	Solid-core	1	●	●
H800HV	0.75 - 200A	N.O. 0.5A@250VAC/DC	0.75A or less	Solid-core	3	●	●
H900	1.5 - 200A	N.O. 1.0A@30VAC/DC	1.5A or less	Split-core	●	●	●

1 Listed for use on 75°C insulated conductors.
2 Product provides functional insulation only.
3 Listed for use on 90°C insulated conductors.

ACCESSORIES

DIN Rail Clip Set (AH01 for H6xx, H8xx, H9xx; AH27 for H3xx)
DIN Rail (AV01) and DIN Stop Clip (AV02)

