

## H723xC Series & H923

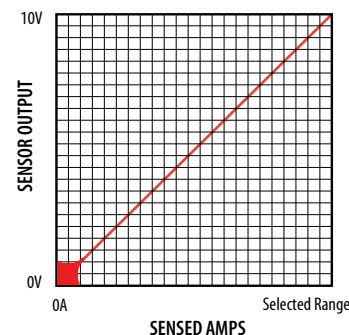


### SPECIFICATIONS

<b>Sensor Power</b>	Induced from monitored current
<b>Insulation Class</b>	300VAC RMS
<b>Frequency Range</b>	50/60 Hz
<b>Temperature Range</b>	-15° to 60°C (5° to 140°F)
<b>Humidity Range</b>	10-90% RH, non-condensing
<b>Accuracy</b>	±2% F.S. from 10% to 100% (selected range)
<b>Response Time</b>	2 sec.
<b>Terminal Block Wire Size</b>	24-14 AWG (0.2 to 2.1 mm <sup>2</sup> )
<b>Terminal Block Torque</b>	3.5 to 4.4 in-lbs (0.4 to 0.5 N-m)
<b>Agency Approvals</b>	CE: EN61010-1, CAT III, pollution degree 2, basic insulation

### EXAMPLE LINEAR OUTPUT

Scale software as shown



## Load Trending With 0-10 VDC Output

### FEATURES

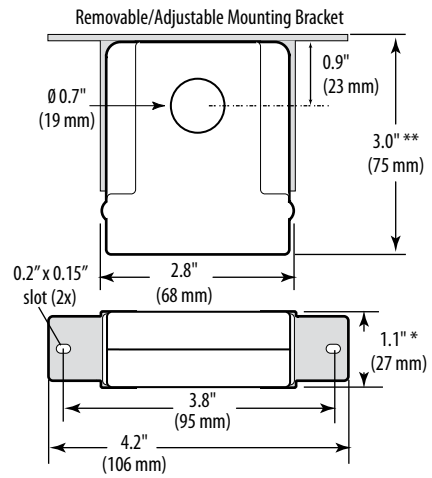
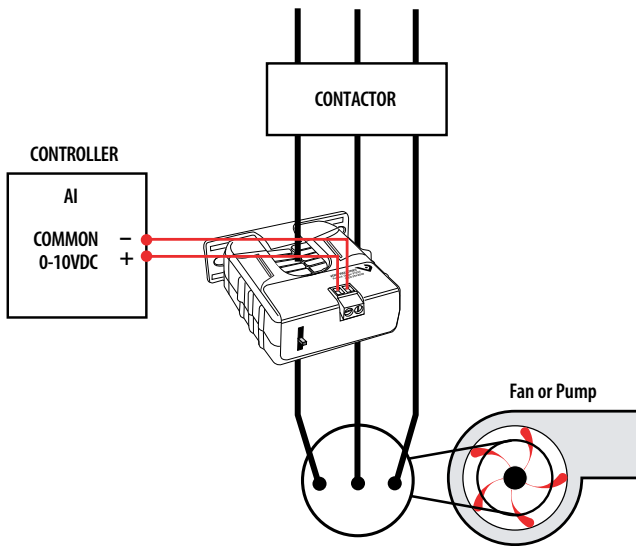
- Self-powered analog current transducer 0-10VDC output
- Self-gripping, split-core design for fast retrofit installation...no need to remove conductor (H923)
- No jumpers on unit...reduces installation error
- No external power required for sensor
- Factory calibrated field-selectable ranges for high resolution and installation ease
- One device does the work of three...less to stock
- Removable mounting bracket for installation flexibility
- Bracket on H923 can be installed in three different configurations...added flexibility
- 100% solid state...no moving parts to fail
- 5-year warranty

### DESCRIPTION

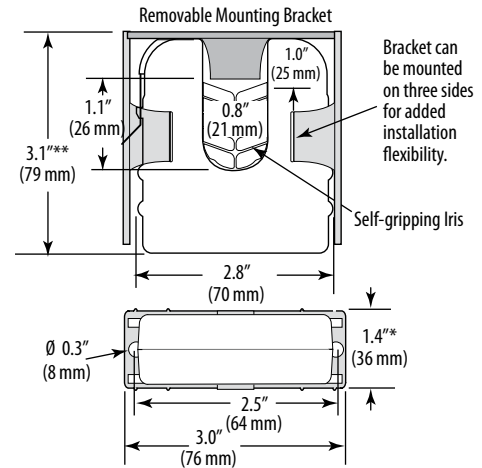
The **Hawkeye 723LC, 723HC, and H923 Series** provide accurate load trending information with a proportional 0-10VDC output signal. Devices offer three amperage range options, with slide-switch selection for easy field adjustment – no need for jumpers.

### APPLICATIONS

- Load trending
- Motor control
- Fan/pump status



H923



\* Terminal block may extend up to 1/8" over the height dimensions shown.  
\*\* Slide switch may extend up to 1/4" over the height dimensions shown.

## ORDERING INFORMATION



MODEL	AMPERAGE RANGE	SENSOR OUTPUT	HOUSING	CE
H723LC	0 - 10/20/40A	0 - 10VDC	Solid-core	●
H723HC	0 - 50/100/200A		Solid-core	●
H923	0 - 20/100/150A		Split-core	●

## ACCESSORIES

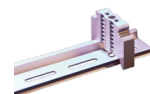
DIN Rail Clip Set (AH01)  
DIN Rail (AV01) and DIN Stop Clip (AV02)



AH01



AV01



AV02