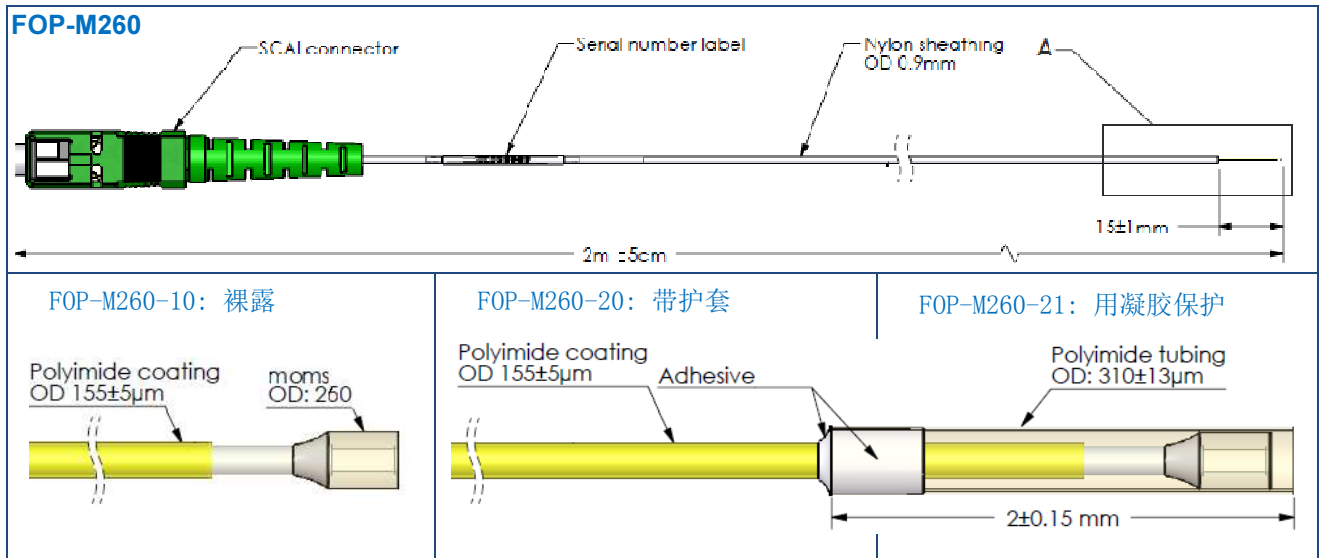


应用

心血管科：左心室压力，动脉血压
 药理学：药物与液体注射
 神经科：颅内压力
 脊椎科：椎间盘内压
 骨骼：髓内压
 泌尿科：胰腺/输尿管压
 MRI RFI选通：动脉血压或左心室压力图
 像选通
 呼吸道/肺科
 眼科：眼内压
 肠胃科



参数

压力范围 ¹	-300mmHg~300mmHg
分辨率 ²	0.1mmHg
系统精度 ³	±3mmHg
灵敏度热效应 ⁴	<0.3mmHg/°C
耐压	>4500mmHg
电线护套	尼龙护套，外径0.9mm
顶部终端	裸露无保护/带保护/用凝胶保护/客户定制
标准传感器长度	2m
连接器	SCAI



模块—开发工具包

开发工具包专为OEM应用开发团队设计

简述

开发模块，也叫做“SKR-DEV”，与evolution软件兼容。

SKR-DEV 的占用空间、通讯能力和速度使之成为将我们的光纤传感器集成到客户设备中的最理想的工具。

SKR-DEV套装包含以下部件：

- 电源适配器和电线
- USB 接口线,
- BNC-SMA线缆
- 用户指南
- 包含CD 的软件驱动和手册 (pdf).
- 清洁套装
- 光纤三米延长线

主要特点

- USB通讯
- 经由模拟输出连接器的全带宽,
- LED灯技术，寿命超过5000小时，无性能降级
- 大气环境自动补偿

Specifications

	Development kit	OEM board
Number of channel(s)	1 or 3	1, 2 or 3
Sampling rate up to	250Hz	
Analog reading output	0 to 4V, 16 bits resolution	
Digital reading output	16 bits resolution	
Power consumption	5 Watts, 12 to 24V	5 Watts 3.3VDC+ 5VDC
Operating temperature	10°C to 55°C	
Storage Temperature	-40°C to 70°C	
Dimension	W: 106 H: 56 D:166/191mm	W: 77 H:39 D:77/93mm
Communication	USB	RS-232 TTL



上图所示为包含OEM模块（SKR-OEM）的开发模块（SKR-DEV）



右图所示为1~3通道的OEM模块 简述

OEM模块也叫做“SKR-OEM”，其占用空间、通讯能力和速度使之成为将我们的光纤传感器集成到客户设备中的最理想的工具。

它易于配置，方便嵌入和与您的设备通讯。

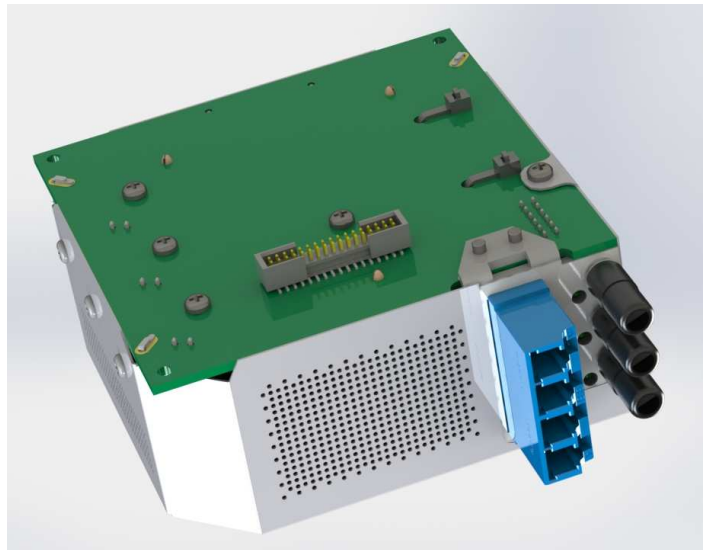
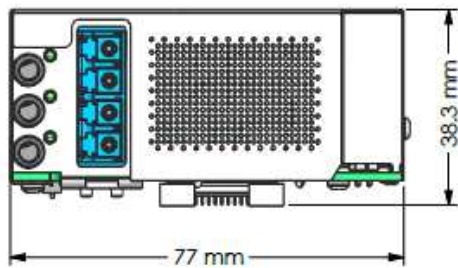
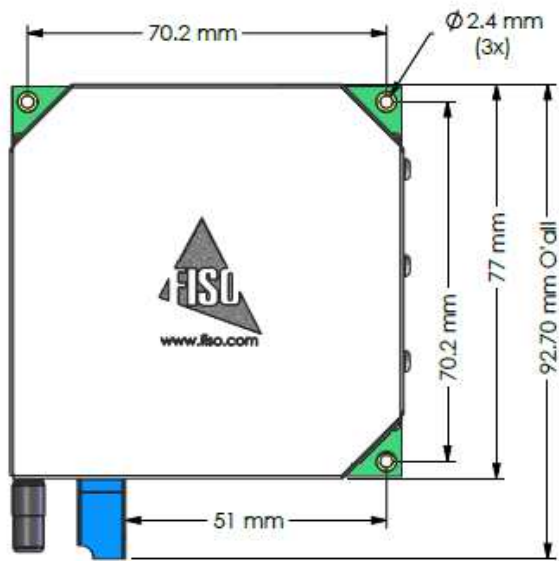
主要特性：

- 通过Samtec连接器的RS232 TTL3.3V通讯
- LED灯光源发热低
- 大气环境自动补偿

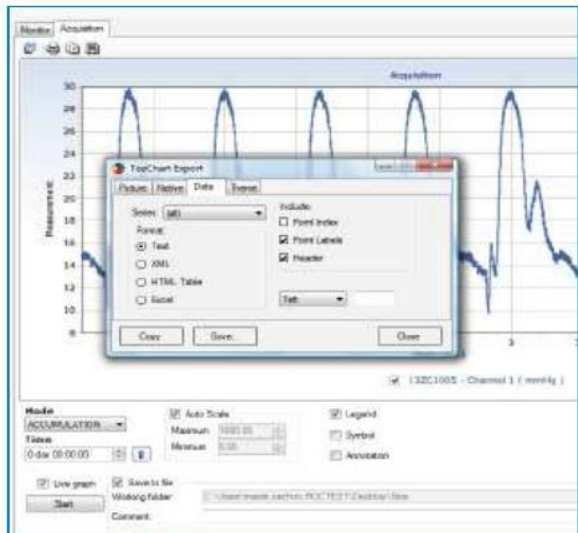


上图所示为模块OEM-2通道

SKR-OEM可提供1, 2和3通道三种模块。



上图所示为上下颠倒的3通道模块OEM



EVOLUTION软件 and 解决方案总结

配置和控制 读取设备

在最常见的组建中，用户通常会将0-5V的模拟输出电压水平配置到自己感兴趣的温度或压力范围，同时用户也能视觉确认导管和设备之间的适当通讯。

简单监控和 实时制图

用户可以选择显示实时测量读数，或者用自己定义的屏幕刷新率绘制实时测量图

导出数据

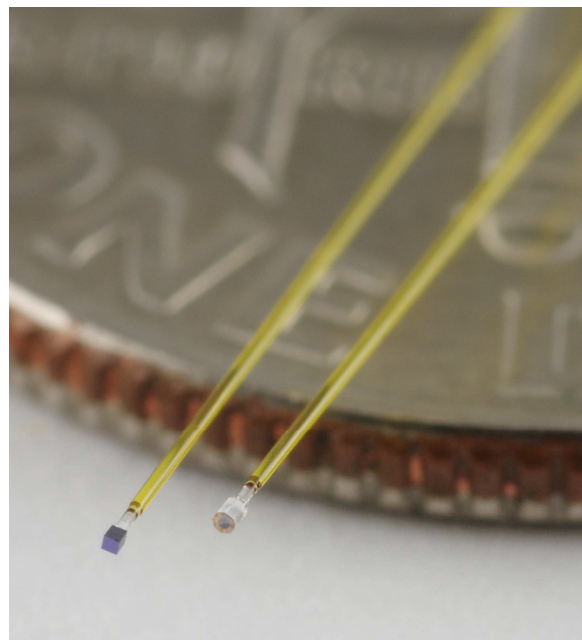
尽管一般用户更喜欢在SPC-HR上使用125 Hz，但可以以各种不同的文件格式记录和保存数据。

其他部件：延长线

如目标工作距离较远，请确认要购买此3m的而延长线。当目标工作距离较近时，可以将其移除。



延长线CF0-LS-3M-10



两只放在US十分硬币上的温度 (FISO item #THR-10) 和压力传感器 (FISO item # FOP-M260-10)

Products designed, manufactured and sold by FISO Technologies Inc. ("FISO"), or its authorized distributors, agents or resellers, are not and shall not be considered or represented as being medical instruments. Such products have not been approved or certified, nor submitted for approval or certification, by applicable regulatory bodies including, without limitation, the office of device evaluation of the U.S. Food and Drug Administration or the Therapeutic Products Directorate of Health Canada. Products purchased with the intent or for the purpose of being used as medical devices or components shall be done at purchasers or user's own risk. FISO disclaims all liability with respect to any and all use of its products as medical devices or components, or in any medical application or procedure including, without limitation, in vitro or in vivo uses. FISO products are scientific instruments whose misuse is potentially dangerous. They are intended to be installed and used only by qualified personnel. FISO's liability to purchaser for claims related to the purchase, transportation, installation or use of its products shall be limited to the aggregate value of the purchase price of the products as stated in FISO's invoice to purchaser. In no event shall FISO be liable for any direct, indirect, punitive, special, incidental, or consequential damages in connection with or related to the purchase, transportation, installation or use of its products (including loss of profits, use, or other economic advantage), however arising, whether for breach of warranty or in tort, even if FISO has been previously advised of the intended use of its products or of the possibility of such damage.