



TECHNICAL INFORMATION SHEET

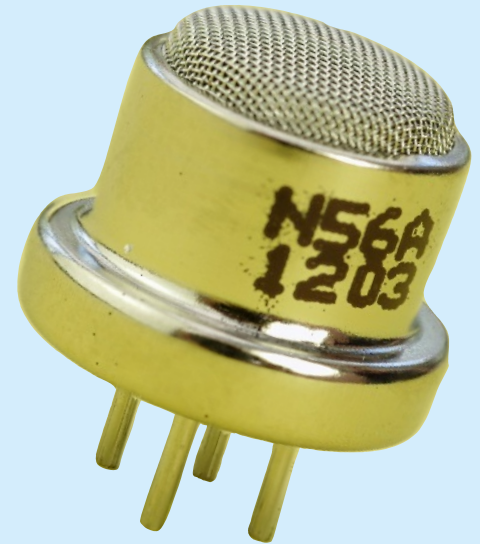
NAP-56A Catalytic Gas Sensor, For Flammable (Explosive) Gases

Nemoto Sensor
Engineering Co., Ltd.
4-10-9, Takaido-higashi,
Suginami-ku, Tokyo,
JAPAN

General Description

The Nemoto NAP-56A is a new, improved low cost catalytic flammable gas sensor. Closely related to the very popular NAP-55A sensor, the NAP-56A uses exactly the same sensing elements, but the enclosure in which they are mounted employs a nickel plated brass mounting cap and a phenolic resin header, instead of the Nylon 66 material used in the NAP-55A. As a result, the sensor exhibits an increased sensitivity output and an increase in useful temperature range, whilst being very slightly larger in dimensions, compared to the NAP-55A.

The widened temperature range of the NAP-56A makes it particularly suitable for applications such as recreational vehicles, caravans and marine applications where a wide temperature range is required. The mechanical construction and technical performance of this sensor makes it also suitable for a wide variety of Industrial and commercial gas detection applications.



- **Monitors flammability directly**
- **Unaffected by humidity**
- **Very low long term drift**
- **Poison resistant**
- **Single header design**
- **Superb temperature stability**
- **Shock Resistant**
- **Linear output to 50% LEL**

Specifications:

Detectable Gas	All Flammable Gases (Optimised for the Detection of Methane / Natural Gas)
Recommended Voltage:	2.5V +/- 0.2V
Current Drawn:	170 +/- 10mA
Zero Offset:	0mV +/- 35mV
Signal Sensitivity:	15-23 mV for 3000ppm CH4
Range:	0-60% LEL
Repeatability:	+/- 0.5mV
Maximum Long Term Drift:	
Span:	< +/- 2% Signal / Month
Zero:	< +/- 2 mV / year
Response Time:	T ₉₀ : <10 sec
Temperature Range:	-30°C to +70°C
Humidity:	0-95%RH, non-condensing
Linearity:	Effectively Linear to 60%LEL
Expected Lifetime	5 years

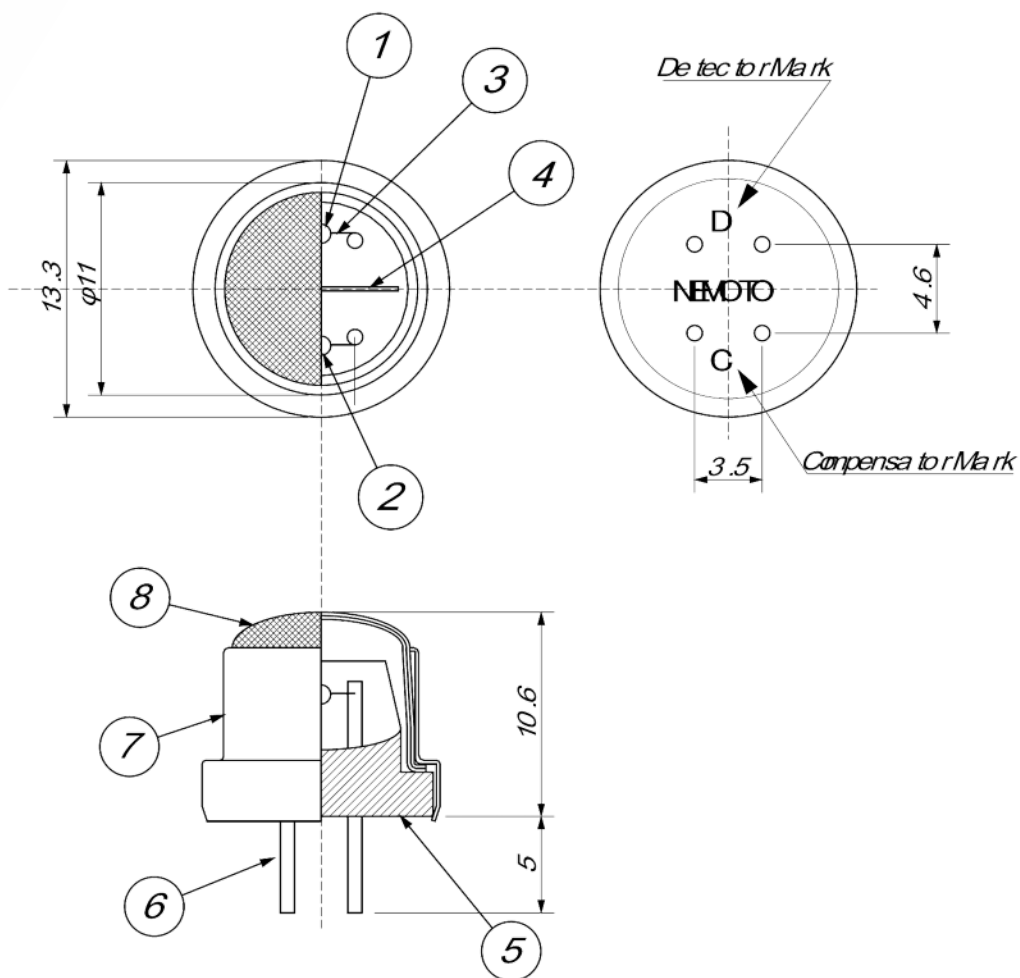
Test data on drift, poisoning, temperature performance, linearity are available on the Characterisation Document.

Nemoto has a policy of continuous development and improvement of its products. As such the specification for the device outlined in the data sheet may be changed without notice

nap-56a.ppp, issue 4, August 2015



Dimensions, Materials and Recommended Circuit



8 Mesh	SUS316#100	Double
7 Strainer	Brass with Ni coating	$t=0.2$
6 Pin	Ni	$\phi 0.8$
5 Base mount	Phenol	—
4 Separator	SUS304	$t=0.2$
3 Coil	Pt	$\phi 0.03$
2 Compensator	—	—
1 Detector	—	—
No Parts	Materials	Remarks

Test data on drift, poisoning, temperature performance, linearity are available on the Characterisation Document.

Nemoto has a policy of continuous development and improvement of its products. As such the specification for the device outlined in the data sheet may be changed without notice

Nap-56a.ppp, issue 4, August 2015

Contact Information:

Europe & Africa Area

Asia Area

Americas Area

Website

www.nemoto.eu

www.nemoto.co.jp

www.nemoto.eu

email

eusensor@nemoto.co.jp

sensor2@nemoto.co.jp

nasensor@nemoto.co.jp

Telephone

+44 (0)1799 543968

+81 3 3333 2760

+1 604 761 7363